

VMECA VACUUM CARTRIDGE

VC202

Features and Strengths

- Two stage – VMECA mini cartridge
- High vacuum level (-90 kPa) at low air pressure
- Efficient air consumption with high vacuum level and vacuum flow
- International patent
- Reliable performance despite inconsistent compressed air pressure



Specifications

Description	VC202
Max. Vacuum level	-90 kPa
Open Vacuum flow	41.3 NI/min
Max. Feed pressure	7 bar
Temperature	-20 ~ 80 °C
Material	PPS, POM, NBR, AL(Holding plug)
Weight	2.67 g

Vacuum Flow

Model	Max. vacuum (-kPa)	Feed Pressure (bar)	Vacuum flow (NI/min) at different vacuum levels (-kPa)									
			0	10	20	30	40	50	60	70	80	90
VC202	50	1.7	35	25.4	12.8	8.3	4	-	-	-	-	-
	65	2.2	38.8	29.5	17	11.5	8	5.2	1.4	-	-	-
	90	3.14	41.3	36.9	26	15.8	11	8.9	6.6	3.9	2	-
	85	4	40	36.5	31	23	14.1	7.6	6.4	3.9	1.3	-

Evacuation Time

Model	Feed Pressure (bar)	Air Consumption (NI/min)	Evacuation time in sec / liter to reach different vacuum levels (-kPa)								
			10	20	30	40	50	60	70	80	90
VC202	1.7	17	0.26	0.59	1.29	2.56	-	-	-	-	-
	2.2	20	0.18	0.48	0.95	1.55	2	2.5	-	-	-
	3.14	26	0.15	0.37	0.61	1.5	1.5	2	3.8	6.2	-
	4	32	0.14	0.39	0.59	0.9	1.2	1.8	3.2	6.9	-



Build an Ordering No.

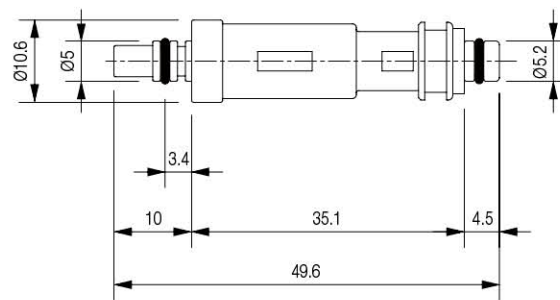
1. Cartridge	Description	Ordering No.
	Mini vacuum cartridge, 2-stage	VC202
	Mini vacuum cartridge, 2-stage, Non-return valve	VC202-N
	Mini vacuum cartridge, 2-stage, Holding plug	VC202P
	Mini vacuum cartridge, 2-stage, Holding plug, Non-return valve	VC202P-N

Spare Parts – Plug

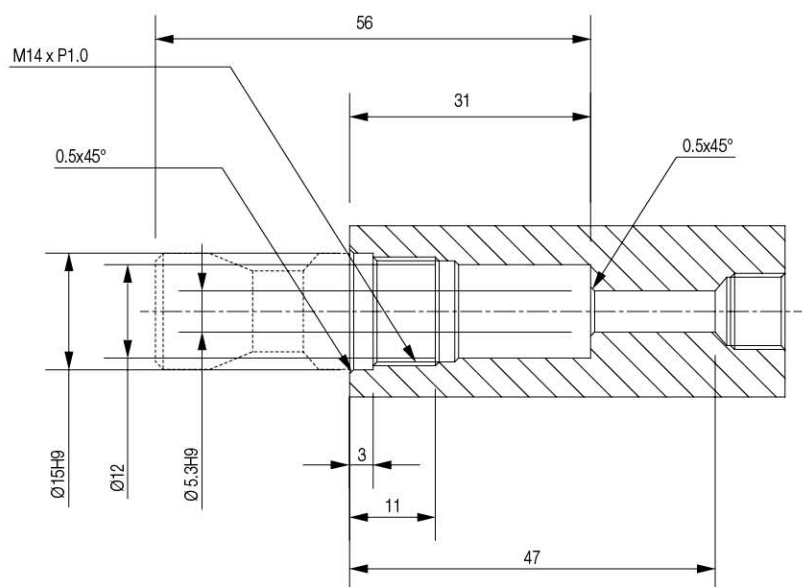
Model	Description	Weight (g)
VCP-M14	Holding plug	6.01

Dimension - Basic Pump

[Unit : mm]



VC202



VC202P

VMECA VACUUM CARTRIDGE

VC203

Features and Strengths

- Three stage – VMECA mini cartridge
- High vacuum level (-90 kPa) at low air pressure
- Efficient air consumption with high vacuum level and vacuum flow
- International patent
- Reliable performance despite inconsistent compressed air pressure



Specifications

Description	VC203
Max. Vacuum level	-90 kPa
Open Vacuum flow	85.8 NI/min
Max. Feed pressure	7 bar
Temperature	-20 ~ 80 °C
Material	PPS, POM, NBR, AL(Holding plug)
Weight	5.45 g

Vacuum Flow

Model	Max. vacuum (-kPa)	Feed Pressure (bar)	Vacuum flow (NI/min) at different vacuum levels (-kPa)									
			0	10	20	30	40	50	60	70	80	90
VC203	50	1.7	5.6	25.4	12.8	8.3	4	-	-	-	-	-
	65	2.2	67.2	29.5	17	11.5	8	5.2	1.4	-	-	-
	90	3.14	85.6	36.9	26	15.8	11	8.9	6.6	3.9	2	-
	85	4	85.8	42.7	31	23	14.1	7.6	6.4	3.9	1.3	-

Evacuation Time

Model	Feed Pressure (bar)	Air Consumption (NI/min)	Evacuation time in sec / liter to reach different vacuum levels (-kPa)								
			10	20	30	40	50	60	70	80	90
VC203	1.7	17	0.12	0.49	1.2	2.4	-	-	-	-	-
	2.2	20	0.08	0.38	0.8	1.47	1.9	2.4	-	-	-
	3.14	26	0.06	0.28	0.52	1.4	1.4	2	3.2	6	-
	4	32	0.075	0.26	0.49	0.8	1	1.8	3	6.8	-

Build an Ordering No.

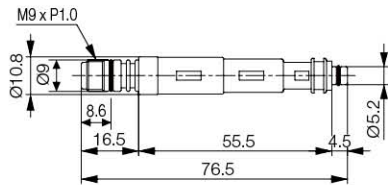
1. Cartridge	Description	Ordering No.
	Mini vacuum cartridge, 3-stage	VC203
	Mini vacuum cartridge, 3-stage, Non-return valve	VC203-N
	Mini vacuum cartridge, 3-stage, M14 Two-fold silencer	VC203S
	Mini vacuum cartridge, 3-stage, M14 Two-fold silencer, Non-return valve	VC203S-N
	Mini vacuum cartridge, 3-stage, M15 Direct silencer	VC203DS
	Mini vacuum cartridge, 3-stage, M15 Direct silencer, Non-return valve	VC203DS-N
	Mini vacuum cartridge, 3-stage, M15 Two-fold silencer	VC203LS
	Mini vacuum cartridge, 3-stage, M15 Two-fold silencer, Non-return valve	VC203LS-N
	Mini vacuum cartridge, 3-stage with vacuum filter, M16 silencer	VC203FS1
	Mini vacuum cartridge, 3-stage with vacuum filter, M16 silencer, Non-return valve	VC203FS1-N

Spare Parts – Plug & Silencer

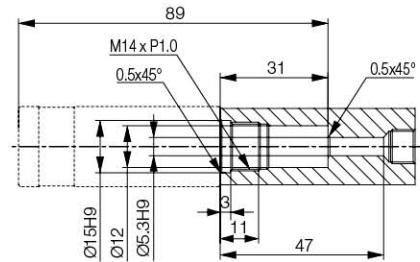
Part No.	Description	Weight (g)
VTS-M15	M15 Direct silencer	11.79
VTTs-M14	M14 Two-fold silencer	18.38
VTTs-M15	M15 Two-fold silencer	15.3
VTS-M16-203	M16 silencer	6.62

Dimension - Basic Pump

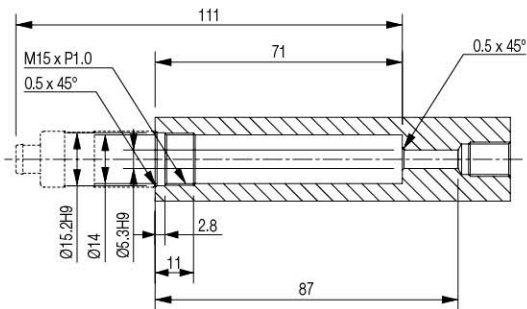
[Unit : mm]



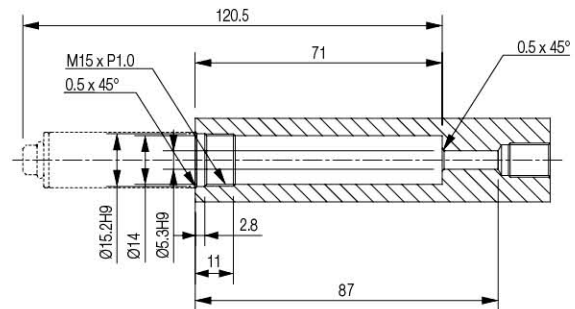
VC203



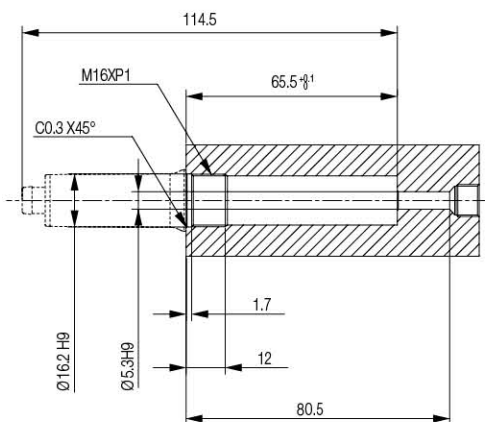
VC203S



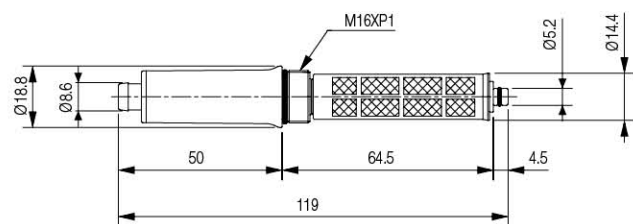
VC203DS



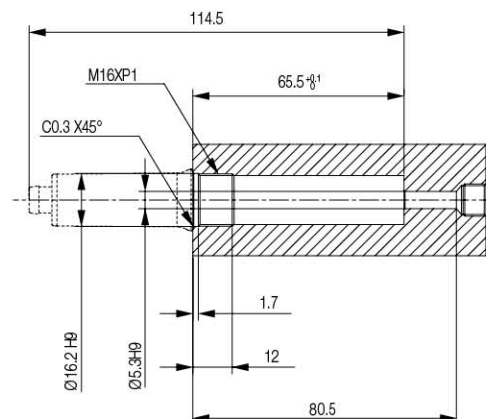
VC203LS



VC203



VC203FS1



VMECA VACUUM CARTRIDGE

VC252

Features and Strengths

- Two stage – VMECA mini premium cartridge
- Deep vacuum level (-94 kPa) with large vacuum flow (113NI/min)
- International patent
- Reliable performance despite inconsistent compressed air pressure



Specifications

Description	VC252
Max. Vacuum level	-94 kPa
Open Vacuum flow	113 NI/min
Max. Feed pressure	7 bar
Temperature	-20 ~ 80 °C
Material	PPS, POM, NBR, AL(Holding plug)
Weight	8.66 g

Vacuum Flow

Model	Max. vacuum (-kPa)	Feed Pressure (bar)	Vacuum flow (NI/min) at different vacuum levels (-kPa)									
			0	10	20	30	40	50	60	70	80	90
VC252	90	5	112	85	63	43	37	27	22	17	11	3.1
	94	5.5	113	91	69	48	30	26	22	17	11	2.8
	93.5	6	111	97	76.5	54	34	25	21	16	9.5	2.3

Evacuation Time

Model	Feed Pressure (bar)	Air Consumption (NI/min)	Evacuation time in sec / liter to reach different vacuum levels (-kPa)									
			10	20	30	40	50	60	70	80	90	
VC252	5.0	70.5	0.039	0.15	0.27	0.49	0.60	0.94	2.09	2.82	4.83	
	5.5	77.0	0.037	0.13	0.26	0.41	0.54	0.86	1.2	1.6	5.0	
	6.0	83.5	0.035	0.078	0.12	0.13	0.33	0.83	1.15	1.76	5.8	

Build an Ordering No.

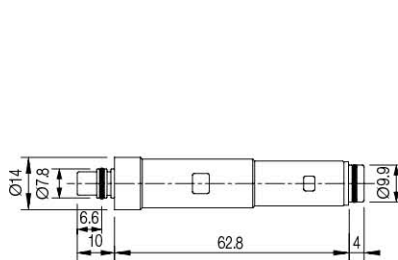
1. Cartridge	Description	Ordering No.
	Mini premium vacuum cartridge, 2-stage	VC252
	Mini premium vacuum cartridge, 2-stage, Non-return valve	VC252-N
	Mini premium vacuum cartridge, 2-stage, Holding plug	VC252P
	Mini premium vacuum cartridge, 2-stage, Holding plug, Non-return valve	VC252P-N
	Mini premium vacuum cartridge, 2-stage, Silencer	VC252S
	Mini premium vacuum cartridge, 2-stage, Silencer, Non-return valve	VC252S-N
	Mini premium vacuum cartridge, 2-stage with vacuum filter, M16 silencer	VC252PS
	Mini premium vacuum cartridge, 2-stage with vacuum filter, M16 silencer, Non-return valve	VC252PS-N

Spare Parts – Plug

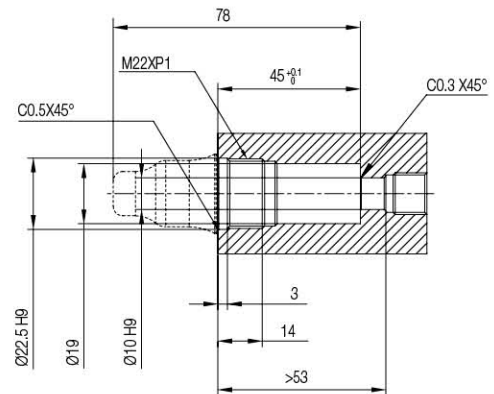
Model	Description	Weight (g)
VCP-M16-252	Holding plug	6.62
VTS-M16-252	M16 silencer	6.62

Dimension - Basic Pump

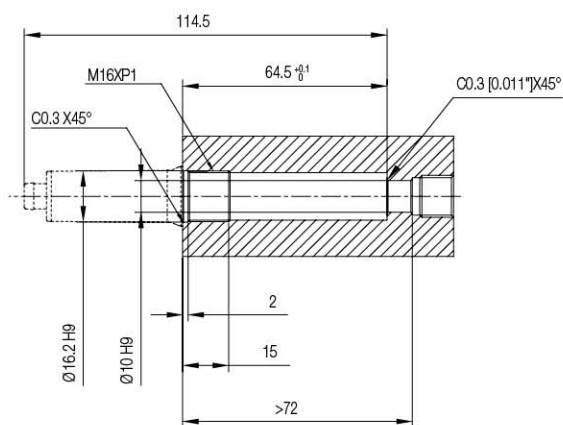
[Unit : mm]



VC252



VC252P



VC252FS1

VMECA VACUUM CARTRIDGE

VC253

Features and Strengths

- Three stage – VMECA mini premium cartridge
- Deep vacuum level (-94.5 kPa) with large vacuum flow (146NI/min)
- International patent
- Reliable performance despite inconsistent compressed air pressure



Specifications

Description	VC253
Max. Vacuum level	-94 kPa
Open Vacuum flow	146 NI/min
Max. Feed pressure	7 bar
Temperature	-20 ~ 80 °C
Material	PPS, POM, NBR, AL(Holding plug)
Weight	14.12 g

Vacuum Flow

Model	Max. vacuum (-kPa)	Feed Pressure (bar)	Vacuum flow (NI/min) at different vacuum levels (-kPa)									
			0	10	20	30	40	50	60	70	80	90
VC253	90	5.0	137	105	63	42	32.5	26	21	17	11	3.1
	94	5.5	141	109	71	51	32	26	22	17.5	11	2.8
	93.5	6.0	146	108	75	60	42	25	21	16	9.6	2.3

Evacuation Time

Model	Feed Pressure (bar)	Air Consumption (NI/min)	Evacuation time in sec / liter to reach different vacuum levels (-kPa)									
			10	20	30	40	50	60	70	80	90	
VC253	5.0	70.5	0.034	0.136	0.23	0.43	0.52	0.82	1.82	2.46	4.22	
	5.5	77.0	0.034	0.125	0.24	0.37	0.5	0.8	1.1	1.5	4.75	
	6.0	83.5	0.033	0.073	0.11	0.12	0.31	0.79	1.1	1.65	5.5	

Build an Ordering No.

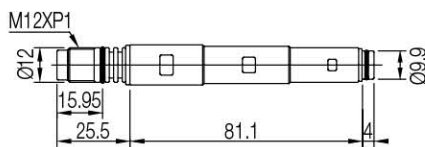
1. Cartridge	Description	Ordering No.
	Mini premium vacuum cartridge, 3-stage	VC253
	Mini premium vacuum cartridge, 3-stage, Non-return valve	VC253-N
	Mini premium vacuum cartridge, 3-stage, Holding plug	VC253P
	Mini premium vacuum cartridge, 3-stage, Holding plug, Non-return valve	VC253P-N
	Mini premium vacuum cartridge, 3-stage, Silencer	VC253S
	Mini premium vacuum cartridge, 3-stage, Silencer, Non-return valve	VC253S-N
	Mini premium vacuum cartridge, 3-stage with vacuum filter, M25 silencer	VC253FS1
	Mini premium vacuum cartridge, 3-stage with vacuum filter, M25 silencer, Non-return valve	VC253FS1-N

Spare Parts – Plug

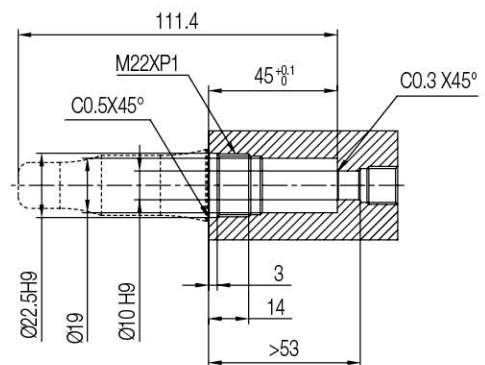
Model	Description	Weight (g)
VCP-M25-253	Holding plug	27.13
VTS-M25-253	M25 silencer	27.13

Dimension - Basic Pump

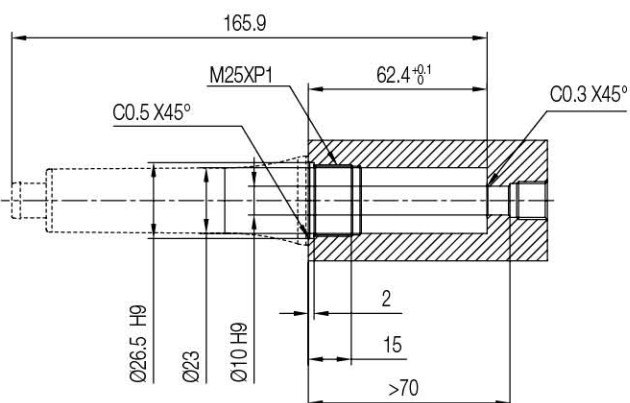
[Unit : mm]



VC253



VC253P



VC253FS1